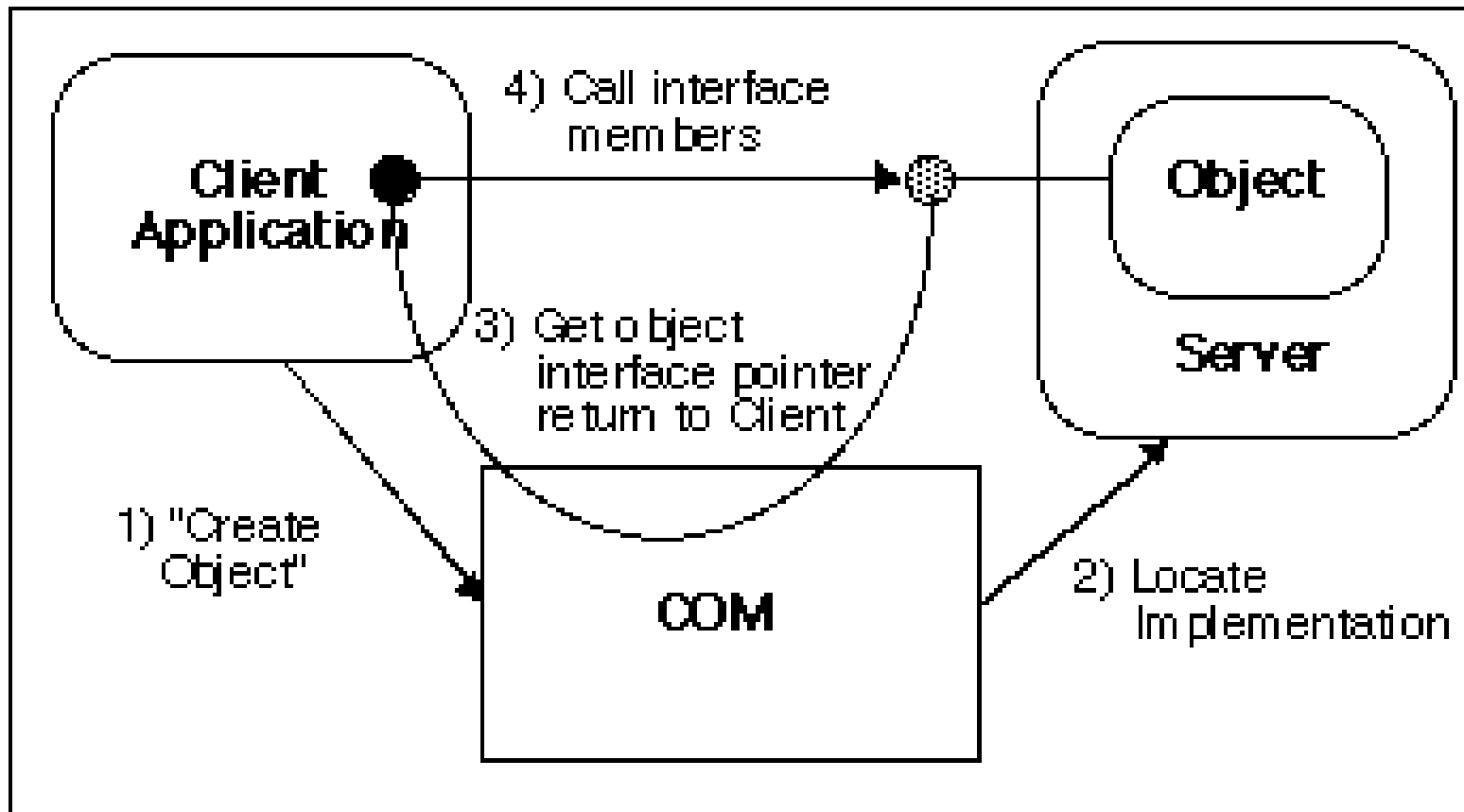


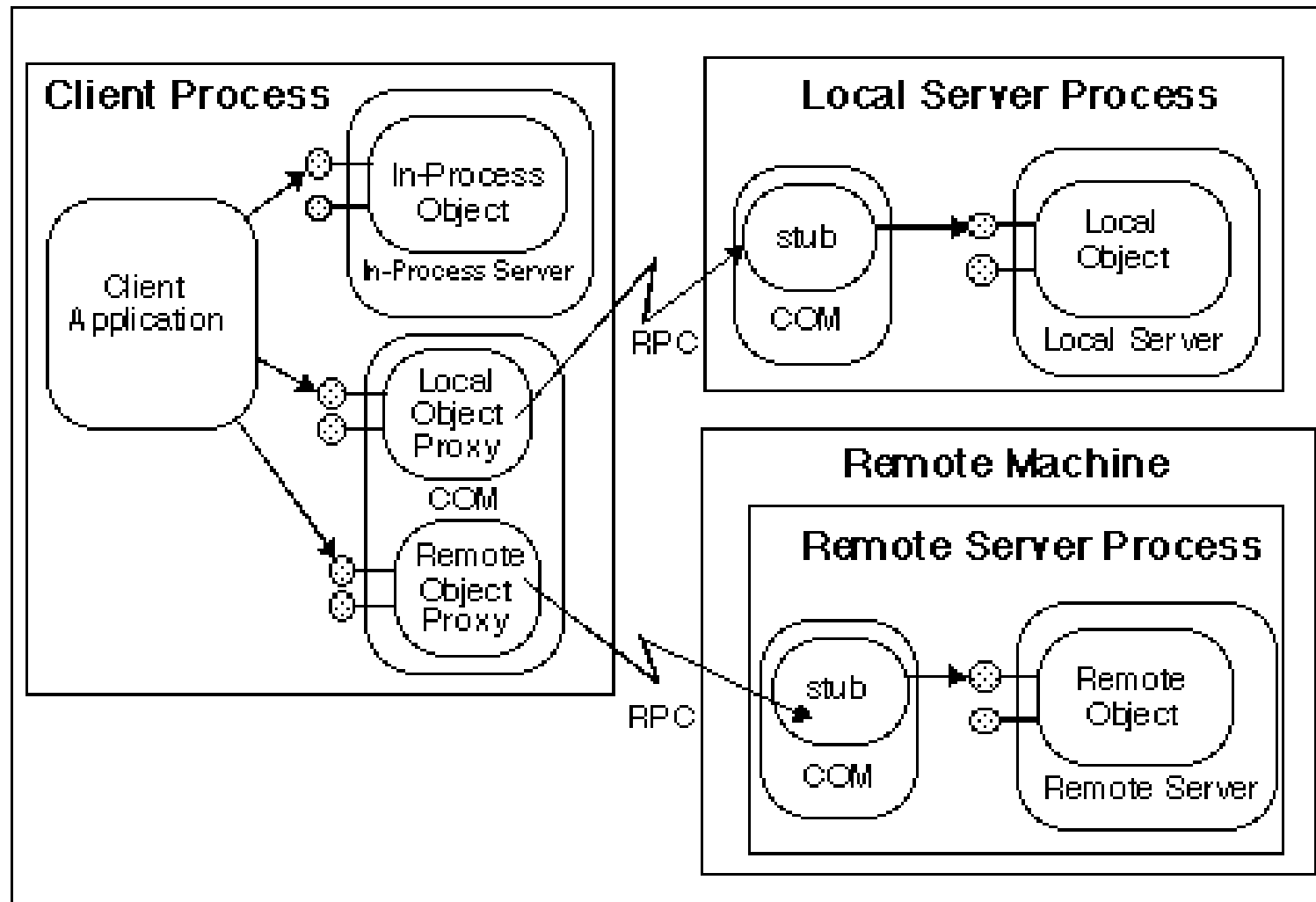
COM Object creation

- All COM objects are registered with a component database. When a client wishes to create and use a COM object:
 - It invokes the COM API to instantiate a new COM object.
 - COM locates the object implementation and initiates a server process for the object.
 - The server process creates the object, and returns an interface pointer at the object.
 - The client can then interact with the newly instantiated COM object through the interface pointer.

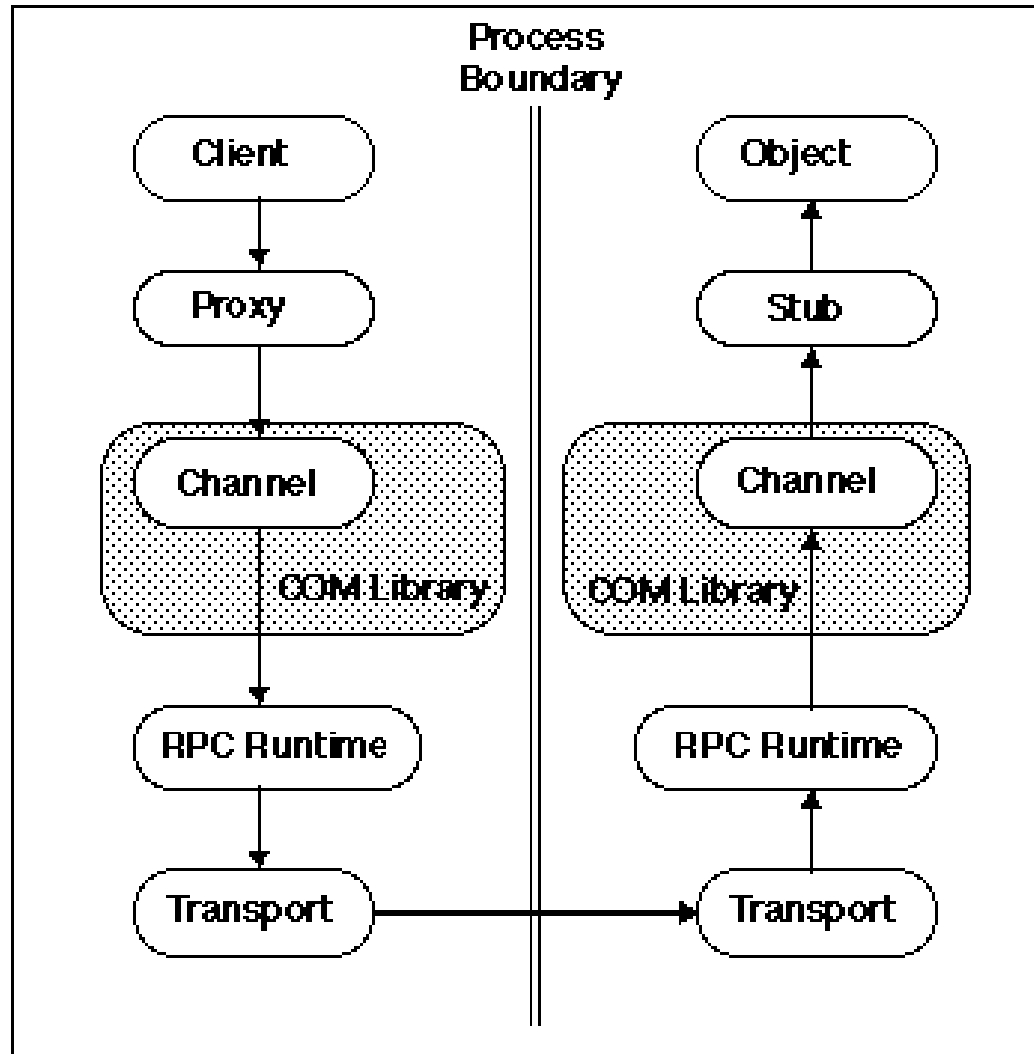
COM Object creation



Three Methods for Accessing COM Objects



Cross-process communication in COM



What is COM+?

- COM+ is the name of the COM-based services and technologies first released in Windows 2000.
- COM+ brought together the technology of COM components and the application host of Microsoft Transaction Server (MTS).
- COM+ automatically handles difficult programming tasks such as resource pooling, disconnected applications, event publication and subscription and distributed transactions.